



Specification

Nominal size

80mm

Body type

Clamped

Properties

With spring-return pneumatic actuator and anti-clockwise opening

Materials

Contact parts: 316 stainless steel

Main seal: PTFE

Alternatives are available, refer to the Design Options page

Design Conditions

Valve Assembly Weight: 16.6 Kg

Butterfly Valve

Design Pressure (MAWP): 6 Bar

Test Pressure: 10.5 Bar

Design Temperature Min: -40°C

Design Temperature Max: 200°C

Actuator

Actuator Maximum Pressure: 8 Bar

Design Temperature Min: -20°C

Design Temperature Max: 80°C

Actuator Operating Conditions

Start to open 3.1 Bar

Fully open 3.8 Bar

NOTE: The Design Conditions and Section View dimensions are for the specified part number only.

Design Code

BS EN14432

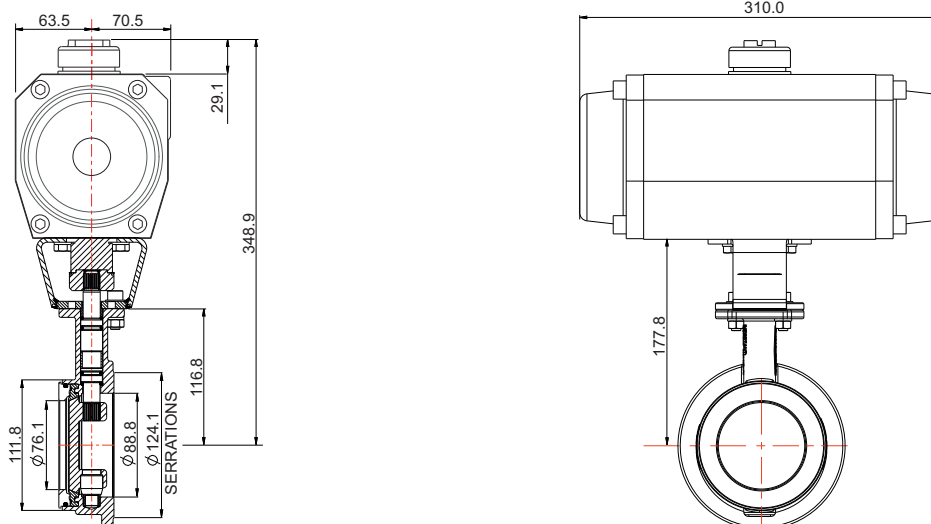
Range

Description	Part No.
Std. specification - pneumatic actuator	368/7000BPN
Std. specification - manually operated	368/7000B

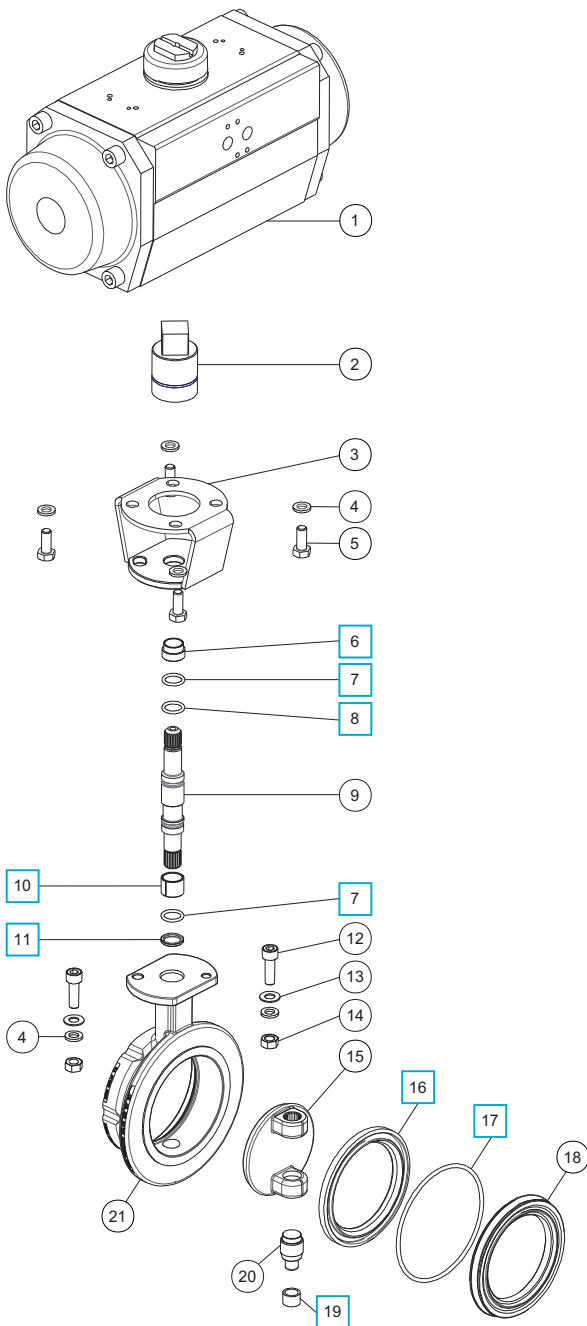
Related Parts

Description	Part No.
CNAF/PTFE inlet gasket	5005-049
CNAF/PTFE outlet gasket	5005-490
Bolting kit	368/1100
3" BSP outlet flange	368/8047
3" BSP blank cap with PTFE seal	10303PS

Section View



Parts Drawing



Parts List

Item	Description	Part No.	
1	Pneumatic actuator	5127-115	
2	Drive adaptor assembly	368/2824	
3	Bridge assembly	368/2820	
4	M8 flat spring washer (6)	5113-003	
5	M8 x 20mm bolt (4)	5111-822	
6	Stuffing clamp bush	368/0301	<input type="checkbox"/>
7	PTFE O ring (2)	20363	<input type="checkbox"/>
8	Viton O ring	20361	<input type="checkbox"/>
9	Spindle	368/0200/2	
10	Split bearing	252/0517	<input type="checkbox"/>
11	PTFE spindle seat	368/0009	<input type="checkbox"/>
12	M8 x 25mm cap screw (2)	5111-148	
13	M8 plain washer (2)	5113-005	
14	M8 full nut (2)	5112-001	
15	Closure plate	368/0400	
16	Main seal	368/0002	<input type="checkbox"/>
17	Nitrile O ring	5005-342	<input type="checkbox"/>
18	Seal clamp plate	368/0045	
19	Bottom bush	368/0035	<input type="checkbox"/>
20	Bottom spindle	368/0036	
21	Body	368/0150	

Seal Kit

Description	Part No.
All parts marked <input type="checkbox"/> in the Parts List	368/00SK