

## Specification

### Nominal size

80mm

### Body type

Weld-prepared inlet, 3" BSP threaded outlet

### Properties

Left hand operated, handle with TIR

### Materials

Contact parts: 316 stainless steel

Main seal: PTFE

Alternatives are available, refer to the Design Options page

## Design Conditions

Weight:	5.76 Kg
Design Pressure (MAWP):	6 Bar
Test Pressure:	11 Bar
Design Temperature Min:	-40°C
Design Temperature Max:	200°C

**NOTE:** The Design Conditions and Section View dimensions are for the specified part number only.

### Design Code

BS EN14432

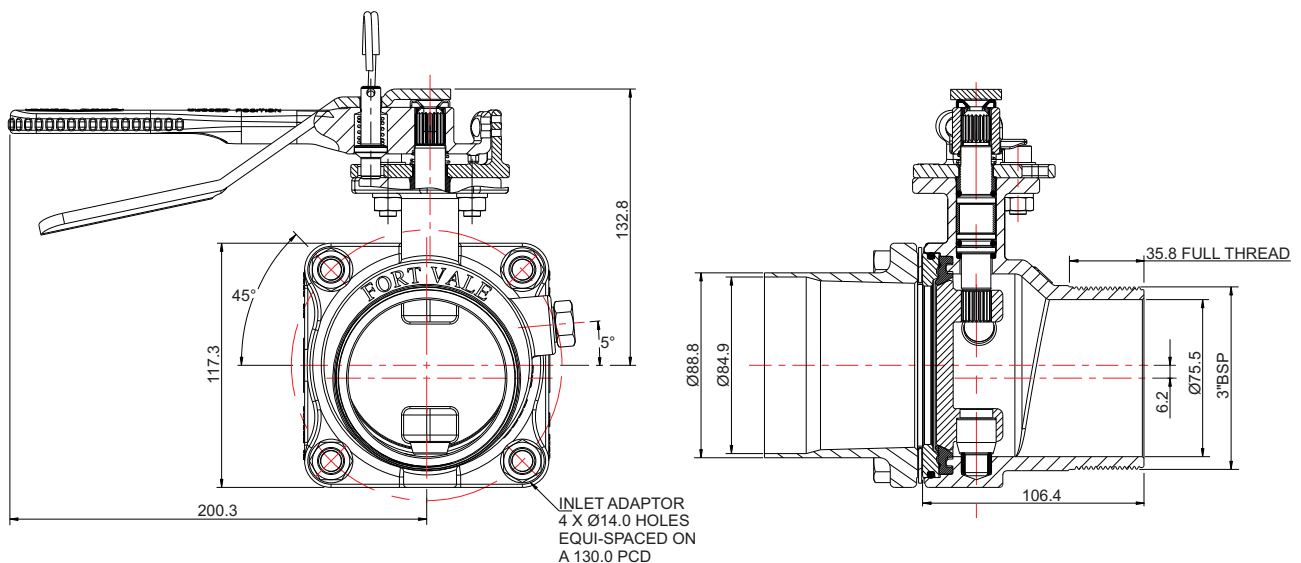
## Range

Body	Inlet Adaptor	Part No.
Vented 3/8" BSP	Straight	368/2500SVA
Non-vented	Straight	368/2500SNA
Vented 3/8" BSP	None	368/2500NVA
Non-vented	None	368/2500NNA
Vented 3/8" BSP	Angled	368/2500AVA
Non-vented	Angled	368/2500ANA
Vented 3/8" BSP	85mm I/D	368/2500BVA
Non-vented	85mm I/D	368/2500BNA

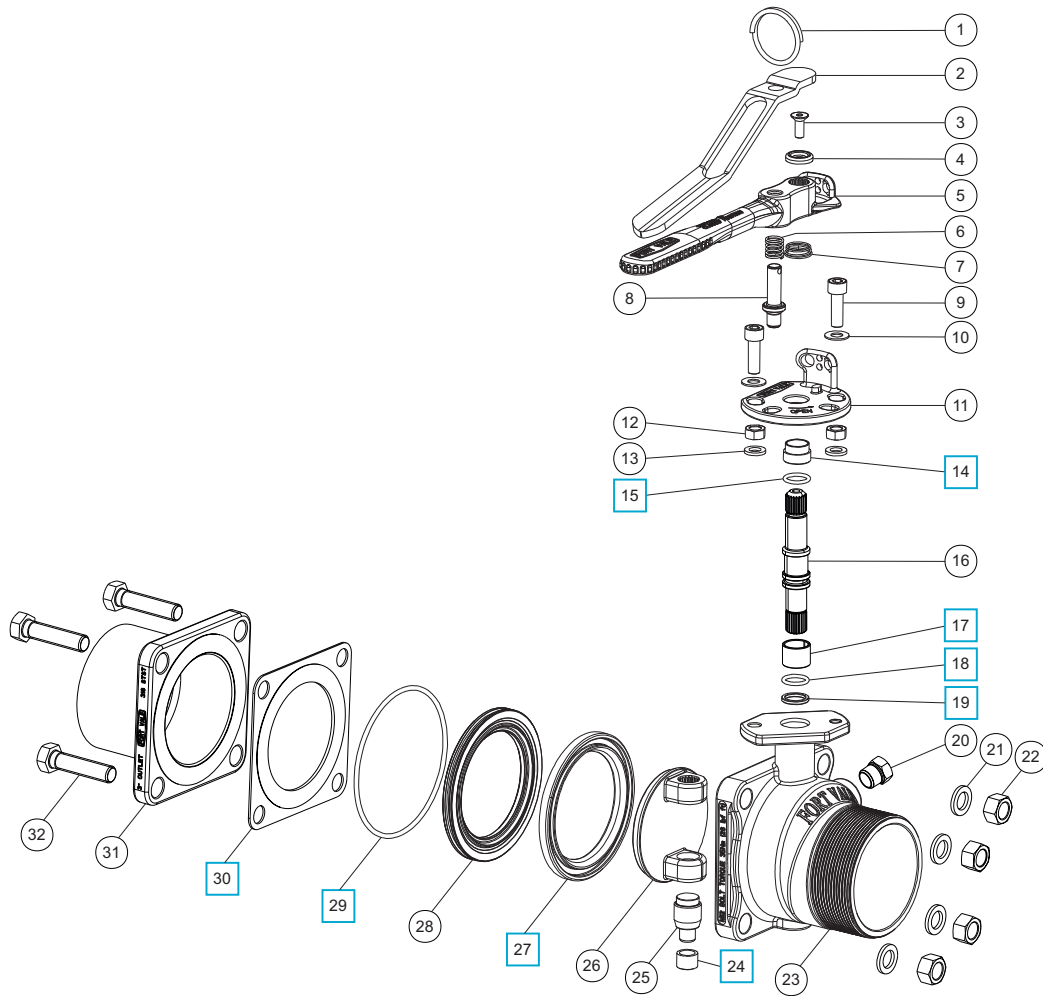
## Related Parts

Description	Part No.
3" BSP blank cap with PTFE seal	10303PS

## Section View



## Parts Drawing



### Parts List

Item	Description	Part No.
1	Split ring	368/0011
2	Handle lever	368/9837
3	Countersunk bolt	5111-030
4	Retaining washer	20370
5	Handle	368/0050
6	Handle spring	368/0012
7	Electrical continuity spring	368/0014
8	Handle location pin	368/0010
9	M8 cap screw (2)	5111-148
10	M8 plain washer (2)	5113-005
11	Stuffing clamp	368/0040
12	M8 full nut (2)	5112-001
13	M8 spring washer (2)	5113-003
14	Stuffing clamp bush	368/0301
15	PTFE O ring	20363
16	Spindle	368/0201
17	Split bearing	252/0517
18	Viton O ring	20361
19	PTFE spindle seat	368/0009

### Parts List

Item	Description	Part No.
20	3/8" taper plug	5128-011
21	M12 spring washer (4)	5113-010
22	M12 full nut (4)	5112-006
23	Vented body *Note	368/2520
24	Bottom bush	368/0035
25	Bottom spindle	368/0036
26	Closure plate	368/0400
27	PTFE main seal	368/0002
28	Seal clamp	368/9148
29	Nitrile O ring	5005-342
30	CNAF/PTFE gasket	5005-707
31	Inlet flange *Note	368/9410
32	M12 hex bolt (4)	5111-032

NOTE: The valve specification changes the part number

### Seal Kit

Description	Part No.
All parts marked <input type="checkbox"/> in the Parts List	368/25SK