



## Specification

### Nominal size

100mm

### Body type

Clamped

### Properties

Left hand operated, handle with TIR and padlock slots

### Materials

Contact parts: 316 stainless steel

Main seal: Flexityt

Alternatives are available, refer to the Design Options page

## Design Conditions

Weight:	4 Kg
Design Pressure (MAWP):	6 Bar
Test Pressure:	10.2 Bar
Design Temperature Min:	-40°C
Design Temperature Max:	200°C

**NOTE:** The Design Conditions and Section View dimensions are for the specified part number only.

### Design Code

BS EN14432

### Design Approvals

Lloyds Register of Shipping

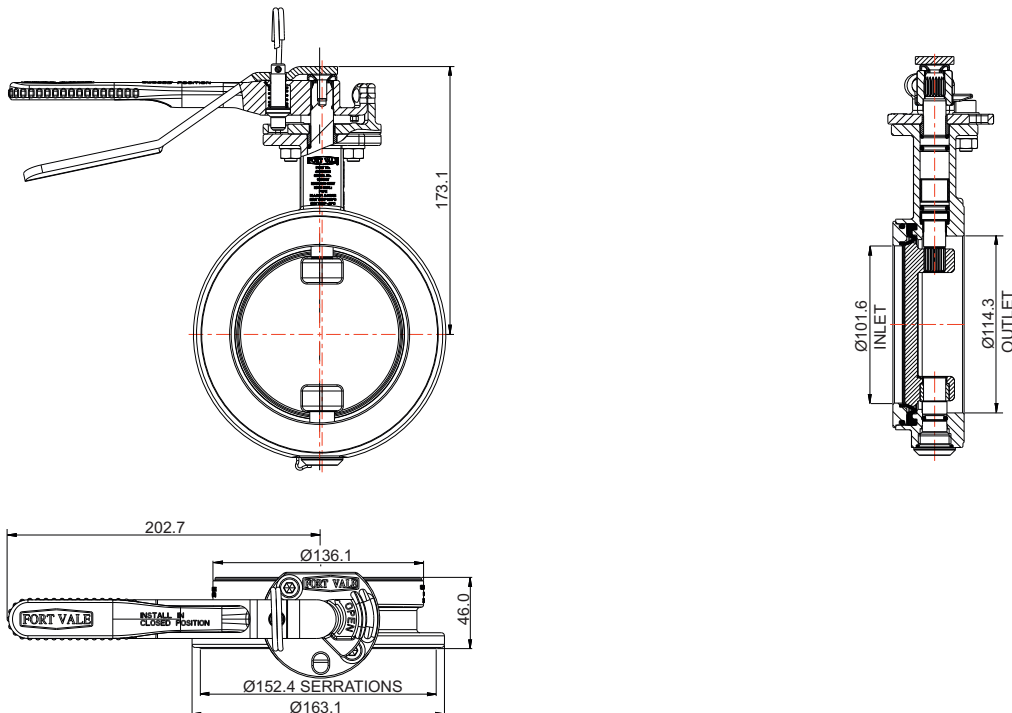
## Range

Description	Part No.
Standard specification	468/7250B
Pneumatically actuated	468/7200BPN
With high-temperature seals	468/725HTB

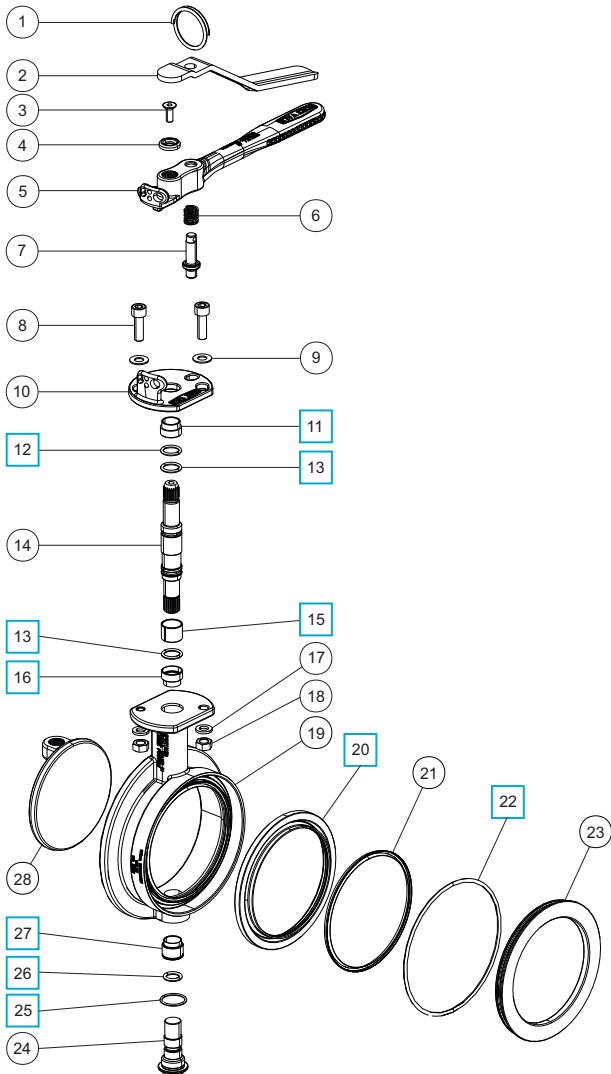
## Related Parts

Description	Part No.
CNAF/PTFE inlet gasket	5005-468
CNAF/PTFE outlet gasket	5005-469
Bolting kit (8x bolts, nuts, washers)	468/1100
4" BSP outlet flange	468/8047
4" BSP blank cap with PTFE seal	10304PSC

## Section View



## Parts Drawing



## Parts List

Item	Description	Part No.	
1	Split ring	368/0011	
2	Operating lever	368/9837	
3	Countersunk set screw	5111-030	
4	Washer	20370	
5	Handle	368/0050	
6	Handle spring	368/0012	
7	Handle location pin	368/0010	
8	M8 cap screw (2)	5111-148	
9	M8 plain washer (2)	5113-005	
10	Stuffing clamp	368/0040	
11	PTFE stuffing clamp bush	368/0301	<input type="checkbox"/>
12	PTFE O ring	20363	<input type="checkbox"/>
13	Viton O ring (2)	20361	<input type="checkbox"/>
14	Spindle	368/0205	
15	Split bearing	368/0039	<input type="checkbox"/>
16	PTFE bearing	368/0009HT/1	<input type="checkbox"/>
17	M8 spring washer (2)	5113-003	
18	M8 full nut (2)	5112-001	
19	Body	468/0200	
20	Flexityt PTFE main seal	468/0030	<input type="checkbox"/>
21	Flexityt seal spring	468/0031	
22	Nitrile O ring	5005-357	<input type="checkbox"/>
23	Seal clamp plate	468/0033	
24	Bottom spindle	468/0005	
25	PTFE O ring	5005-160	<input type="checkbox"/>
26	High temperature seal	ORB614K1	<input type="checkbox"/>
27	PTFE bottom bush	468/0035	<input type="checkbox"/>
28	Closure plate	468/0400	

## Seal Kit

Description	Part No.
All parts marked <input type="checkbox"/> in the Parts List	468/725SKB