



## Specification

### Nominal size

56mm

### Inlet connection

1" BSP with swivel

### Outlet connection

56mm

### Selectivity

None as standard. All industry accepted selective positions are available, refer to the Selectivity data sheet

### Materials

Contact parts: 316 stainless steel

Main seals: Viton

Alternatives are available, refer to the Design Options page

## Design Conditions

Weight:	1.7 Kg
Design Pressure (MAWP):	25 Bar
Test Pressure:	43.8 Bar
Max. Coupling Pressure:	7 Bar
Design Temp. Min/Max:	-40°C / 200°C ( <b>metal parts</b> )
Design Temp. Min/Max:	-20°C / 200°C ( <b>Viton seals</b> )

**NOTE:** The working temperature of the hose unit seals can change the design temperature limits. The Design Conditions and Section View dimensions are for the specified part number only.

### Design Code

BS EN 12516-2

## Range

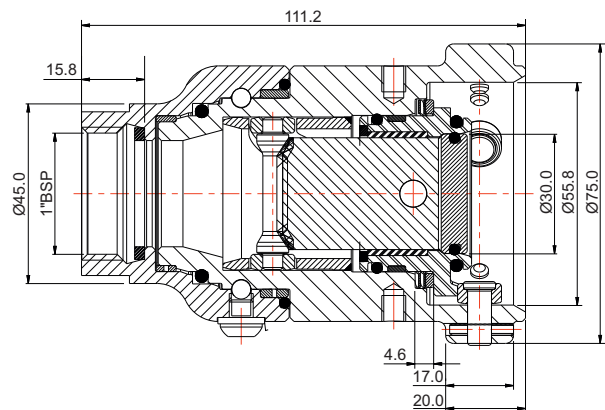
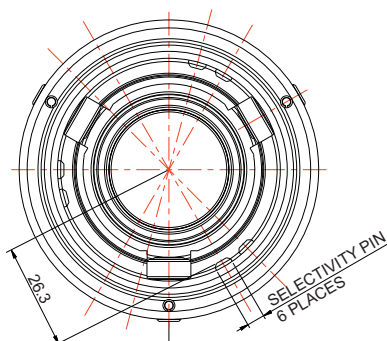
Description	Part No.
1" BSP inlet, Viton seal, no selectivity	895V/B560A00

## Related Parts

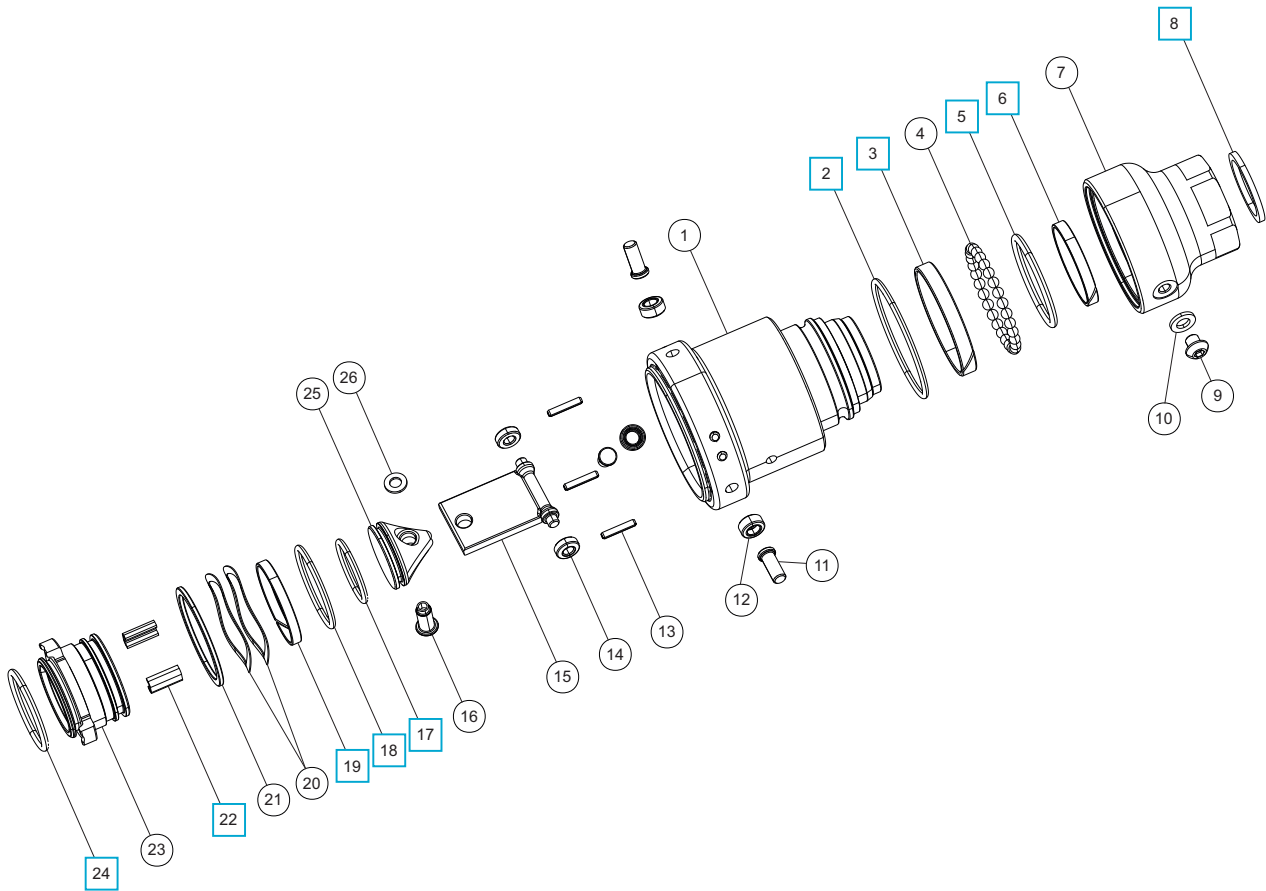
Description	Part No.
56mm/1" BSP tank unit, Viton seal	376V/B560A00
Pressure-tight cap for 56mm tank unit	915/5410X

## Section View

Shows the selectivity pin position



## Parts Drawing



### Parts List

Item	Description	Part No.
1	56mm body (no selectivity) *Note	895/B56100
2	Fortyt O ring	ORB137F0 <input type="checkbox"/>
3	PTFE front bearing	895/5603 <input type="checkbox"/>
4	Ball bearing (30)	10145SS
5	Viton O ring *Note	5005-110 <input type="checkbox"/>
6	PTFE rear bearing	895/5605 <input type="checkbox"/>
7	1" BSP swivel body	895/5601
8	PTFE rear seal	895/B563/1 <input type="checkbox"/>
9	M6 button screw	5111-613
10	M6 spring washer	5113-008
11	Spindle housing bolt (3)	895/B564
12	Roller (3)	895/B566/1
13	Roll pin (3)	5128-071
14	Roller (2)	895/B566
15	Roller spindle assembly	895/B568
16	Pivot pin	895/B567/1
17	Viton O ring *Note	5005-552 <input type="checkbox"/>
18	Viton O ring *Note	5005-956 <input type="checkbox"/>
19	Poppet bearing	895/B562 <input type="checkbox"/>
20	Wave spring (2)	5104-201

### Parts List

Item	Description	Part No.
21	Backing washer	895/B563
22	Slide strip (2)	895/B568/4 <input type="checkbox"/>
23	Poppet housing assembly	895/B565
24	Viton O ring *Note	ORM033030VR <input type="checkbox"/>
25	Poppet	895/B567
26	5mm plain washer	5113-015

**NOTE:** The hose unit specification changes the Part No.

### Seal Kit

Description	Part No.
All parts marked <input type="checkbox"/> in the Parts List	895X/B560XSK

X = The seal material and inlet type change the Part No.