



Internal poppet & bottom operator shown installed to tank weld-in flange

Specification

Nominal size/body angle

125mm / 180°

Internal poppet & bottom operator inlet connection

Flanged: 6 x 13/14mm holes equi-spaced on a 175mm PCD

Bottom operator outlet connection

Flanged: 8 x 18mm holes on a 210mm PCD

Properties

The internal poppet connects to the vent valve by a cable. The handle assembly is supplied separately

Materials

Contact parts: 316 stainless steel

Main seal: PTFE/elastomer

For alternatives, refer to Range & the Design Options page

Design Conditions

Weight:	25.6 Kg
Design Pressure (MAWP):	4 Bar
Test Pressure:	7.1 Bar
Design Temperature Min:	+40°C
Design Temperature Max:	200°C

NOTE: The Design Conditions and Section View dimensions are for the specified part number only.

Approvals

BS EN14433

BS EN13445-3

Design Options & Related Parts

For more information about Design Options and Related Parts, please refer to a separate page: Footvalves for Rail Tank Wagons - Design Options & Accessories

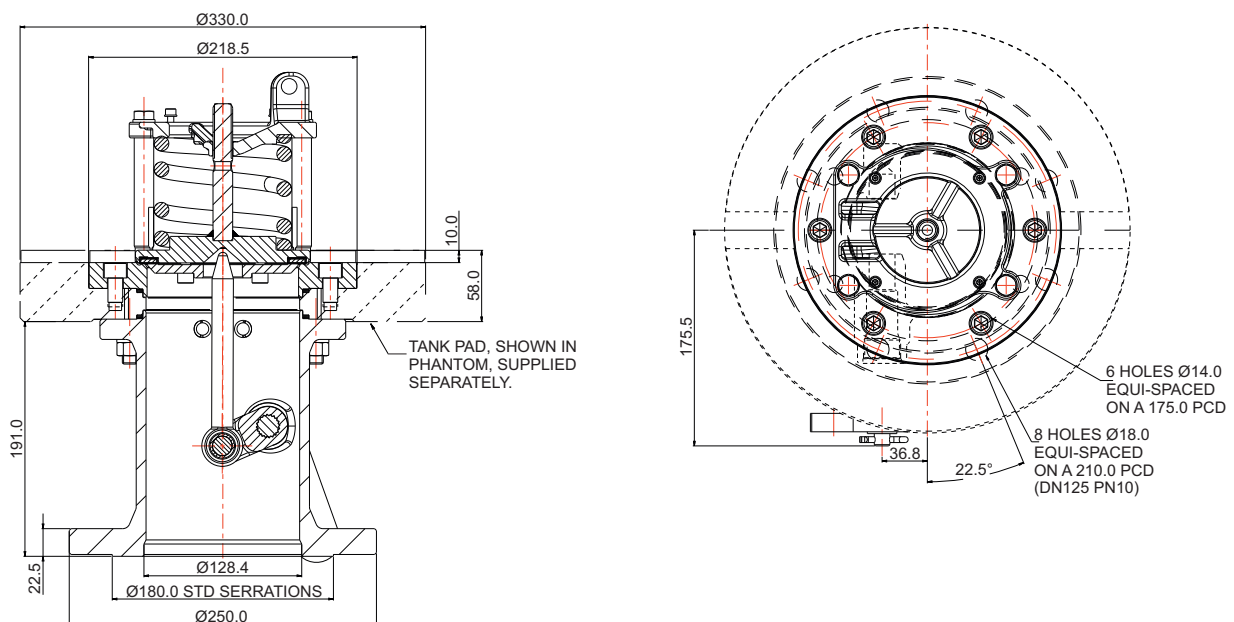
Range: All Stainless Steel

Description	Part No.
Standard specification - 316 st.st.	856/5274X
Standard specification - 304 st.st.	856/5274S1X
Steam heated - flanged ports	856/5274SHX
Steam heated - threaded ports	856/5274SH1X

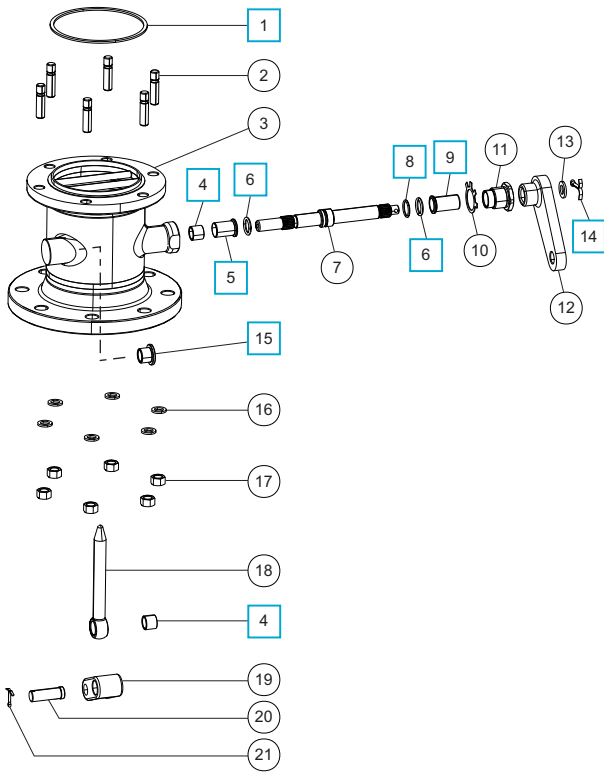
Range: Stainless Steel Internal Poppet & Carbon Steel Bottom Operator

Description	Part No.
Standard specification	856/5274MS/X
Steam heated - flanged ports	856/5274MSSH/X
Steam heated - threaded ports	856/5274MSSH1X

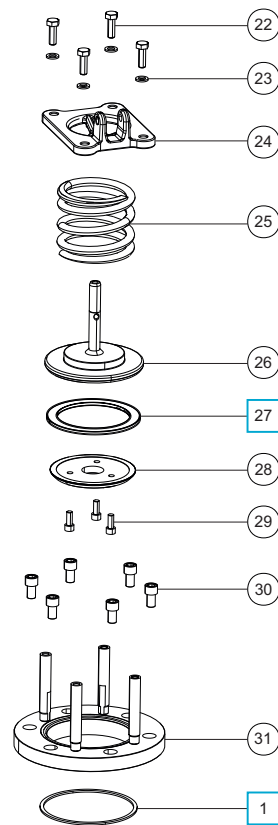
Section View



Parts Drawing: Bottom Operator



Parts Drawing: Internal Poppet



Parts List

Item	Description	Part No.	
1	Intermediary gasket (2)	856/5176	<input type="checkbox"/>
2	M12 stud (6)	312/1007	
3	Operator body: stainless steel carbon steel	856/5190 856/5190MS	
4	Support bush (2)	856/5004	<input type="checkbox"/>
5	Spindle guide bush	853/7022	<input type="checkbox"/>
6	PTFE O ring (2)	5005-113	<input type="checkbox"/>
7	Spindle	856/5003	
8	Low temperature FKM O ring	5005-336MF	<input type="checkbox"/>
9	Spindle guide bush	856/5045	<input type="checkbox"/>
10	Locking washer	853/7029	
11	Stuffing gland nut	853/7021	
12	Crank arm	856/5490	
13	M12 washer	5113-006	
14	3/16" split pin	5118-043	<input type="checkbox"/>
15	Back guide bush	856/5013	<input type="checkbox"/>
16	M12 spring washer (6)	5113-010A4	
17	M12 full nut (6)	5112-045	
18	Push rod	856/5115	
19	Spline boss	856/5002	
20	Clevis pin	856/5007	
21	1/8" split pin	5118-010	

Parts List

Item	Description	Part No.
22	M10 x 30mm hex bolt (4)	5111-003
23	M10 washer (4)	5113-002A4
24	Spring top plate	856/5017
25	Spring	5104-981
26	Poppet	856/5034
27	Poppet seal *Note	856/5035X <input type="checkbox"/>
28	Seal clamp plate	856/5001
29	M8 cap screw (3)	5111-010A4
30	M12 cap screw (6)	5111-066
31	Poppet seat assembly	856/5182

NOTE: The valve specification changes the Part No.

Seal Kit

Description	Part No.
All parts marked <input type="checkbox"/> in the Parts List	856/5274PSK