



Specification

Nominal size

DN500

Cover

6 point

Neckring

Thickness: 6mm

Height range: 100mm to 180mm

Materials

Contact parts: 316 stainless steel

Fasteners: Nitronic 60 swingbolts with stainless steel quick release latches

Seal: supplied separately

Alternatives are available, refer to Range

Design Conditions

Weight range:	34.4 to 40.5 Kg *Note
Design Pressure (MAWP):	2.5 Bar
Test Pressure:	3.25 Bar
Design Temperature Min:	-20°C
Design Temperature Max:	150°C

NOTE: The specification changes the weight.
The Design Temperature limits refer to metal parts only.
The Design Conditions and Section View dimensions are for the specified part number only.

Design Codes

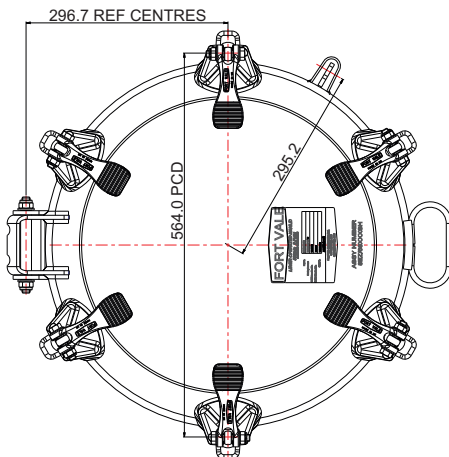
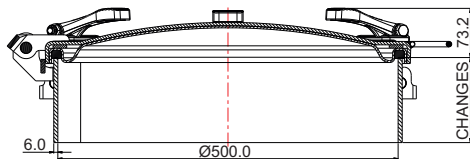
BS EN 14025

Range

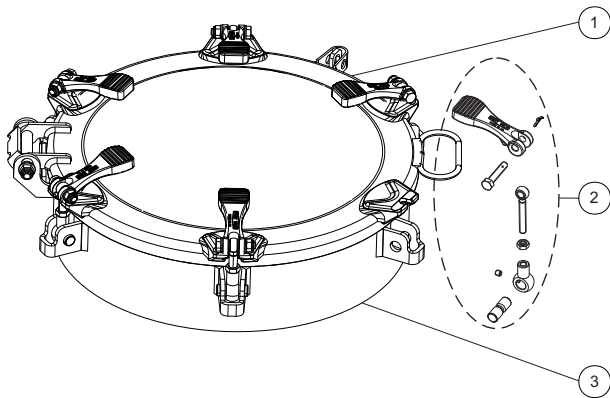
Description	Part No.
Standard assembly	8EZ/66XXXSH
With RJT fitting in cover	8EZ/67XXXSH
With insulated cover	8EZ/68XXXSH

NOTE: The neckring height changes the Part No.

Section View



Parts Drawing

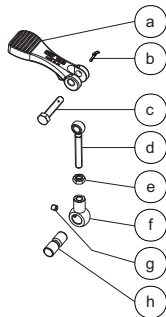


Parts List

Item	Description	Part No.
1	Manlid cover	73E/7200
2	Quick release swingbolt assembly (6) see below	86Z/0001
3	Neckring *Note	66E/66XXXSH

NOTE: The specification changes the Part No.

Swingbolt Assembly Parts Drawing



Swingbolt Assembly Parts List

Item	Description	Part No.
a	Quick release handle	490/4000
b	Split pin	5118-016
c	Clevis pin	895/1645/8N
d	M12 swingbolt	86Z/0003
e	M12 half nut	5112-017
f	16mm eye female swingbolt	86Z/0002
g	M8 socket screw	5111-002
h	16mm swingbolt pin	10913SS