



## Specification

### Nominal size

80mm

### Body type

Clamped

### Properties

Left hand operated, handle with TIR and padlock slots

### Materials

Contact parts: 316 stainless steel

Main seal: PTFE

Alternatives are available, refer to the Design Options page

## Design Conditions

Weight:	3.5 Kg
Design Pressure (MAWP):	6 Bar
Test Pressure:	10.2 Bar
Design Temperature Min:	-40°C
Design Temperature Max:	200°C

**NOTE:** The Design Conditions and Section View dimensions are for the specified part number only.

### Design Code

BS EN14432

### Design Approvals

Lloyds Register of Shipping

Rijksdienst

SNCF

RMRS

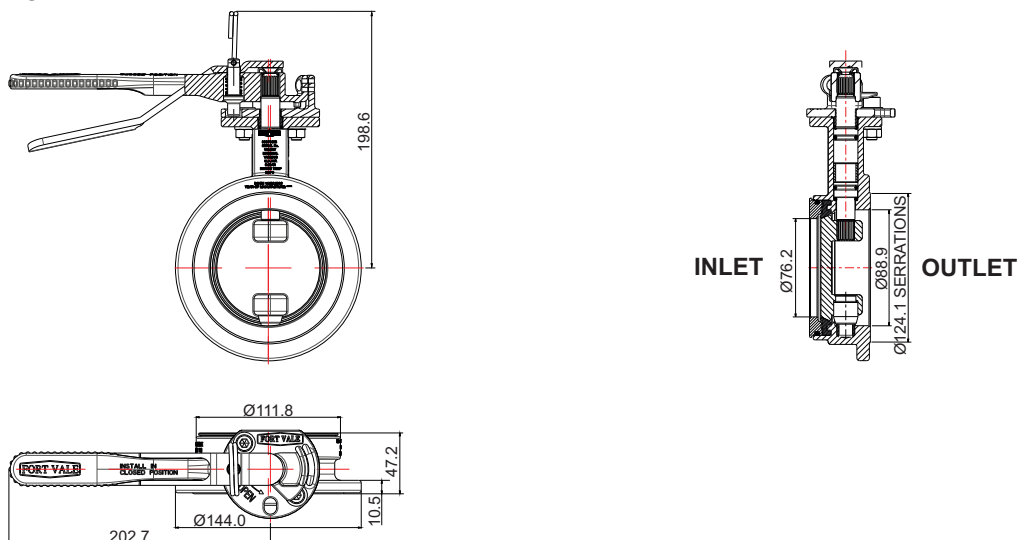
## Range

Description	Part No.
Standard specification	368/7000B
With hemi-spherical closure plate	368/9110B
Std. specification, right hand operated	368/4000A

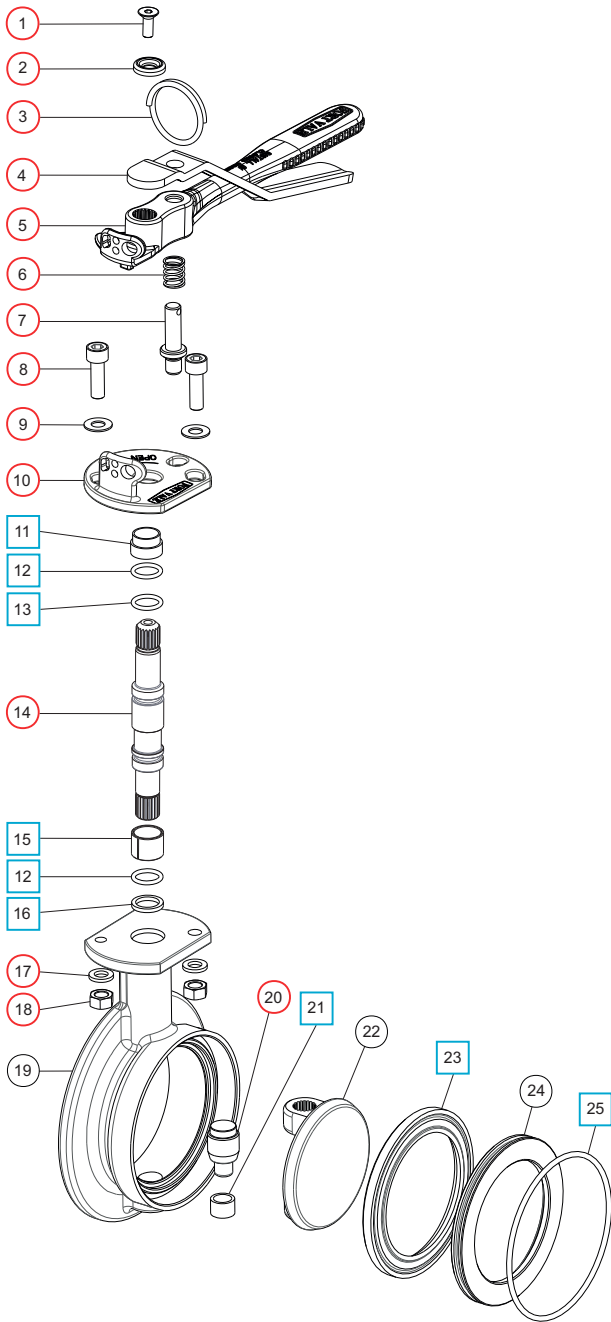
## Related Parts

Description	Part No.
CNAF/PTFE inlet gasket	5005-049
CNAF/PTFE outlet gasket	5005-490
CNAF/PTFE 4 hole square inlet gasket	5005-198
CNAF/PTFE 4 hole square outlet gasket	5005-195
Bolting kit	368/1100
3" BSP outlet flange	SP368/8047
3" BSP blank cap with PTFE seal	10303PS
3" camlock outlet flange	368/8058
3" camlock blank cap	90/DC300
DIN80 mating flange	294/0081

## Section View



## Parts Drawing



## Parts List

Item	Description	Part No.	
1	M6 set screw	5111-030	○
2	Washer	20370	○
3	Split ring	368/0011	○
4	Operating lever	368/9837	○
5	Handle	368/0050	○
6	Handle location spring	368/0012	○
7	Handle location pin	368/0010	○
8	M8 cap screw (2)	5111-148	○
9	M8 plain washer (2)	5113-005	○
10	Stuffing clamp	368/0040	○
11	PTFE stuffing clamp bush	368/0301	□ ○
12	PTFE O ring (2)	20363	□ ○
13	Viton O ring	20361	□ ○
14	Spindle <b>*Note</b>	368/0200	○
15	Split bearing	252/0517	□ ○
16	PTFE spindle seat	368/0009	□ ○
17	M8 spring washer (2)	5113-003	○
18	M8 full nut (2)	5112-001	○
19	Body	368/0150	
20	Bottom spindle	368/0036	○
21	PTFE bottom bush	368/0035	□ ○
22	Closure plate	368/0400	
23	PTFE main seal	368/0002	□ ○
24	Seal clamp plate	368/0045	
25	Nitrile O ring	5005-342	□ ○

**NOTE:** We can supply the spindle with the seals installed. Part no. **368/0200S** includes item 11 thru 16.

## Seal Kit

Description	Part No.
All parts marked □ in the Parts List	368/00SK

## Repair Kit

Description	Part No.
All parts marked ○ in the Parts List, includes 368/0200S (see <b>NOTE</b> )	368/00RKA