



Specification

Nominal size

DN100

Inlet connection

4" TTMA

Outlet connection

Compatible with API RP 1004

Properties

4 wrap-around triggers that connect with over 50% of the loading adaptor circumference and interlock safety latch

Materials

Contact parts: hard anodised aluminium & stainless steel
Main seal: A range is available, refer to Seal Data p3.

Design Conditions

Weight:	12.9 Kg
Design Pressure 1* / 2** (MAWP):	10 Bar / 16 Bar
Test Pressure 1* / 2**:	15 Bar / 24 Bar
Design Temperature Min/Max:	Refer to Seal Data, p3

*1: Coupler Open Connected

**2: Coupler Closed Disconnected

NOTE: The Design Conditions and Section View dimensions are for the specified part number only.

Design Codes

The Safeload coupler obeys:

ATEX Group II, Cat 2

EN 13083

API RP1004 (2003)

Energy Institute Specification: Couplers for the bottom loading of petroleum road tankers

Range

Description	Part No.
With stainless steel handle *Note 1	CE94/3000XX
With aluminium handle *Note 1	CE94/3100XX

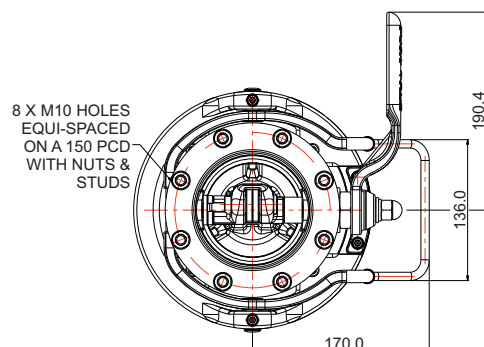
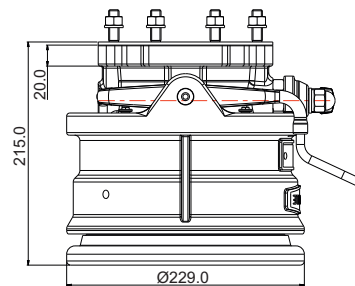
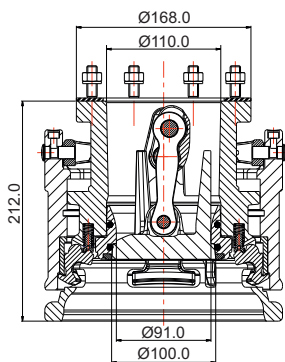
NOTE 1: The seal material changes the Part No.

Related Parts

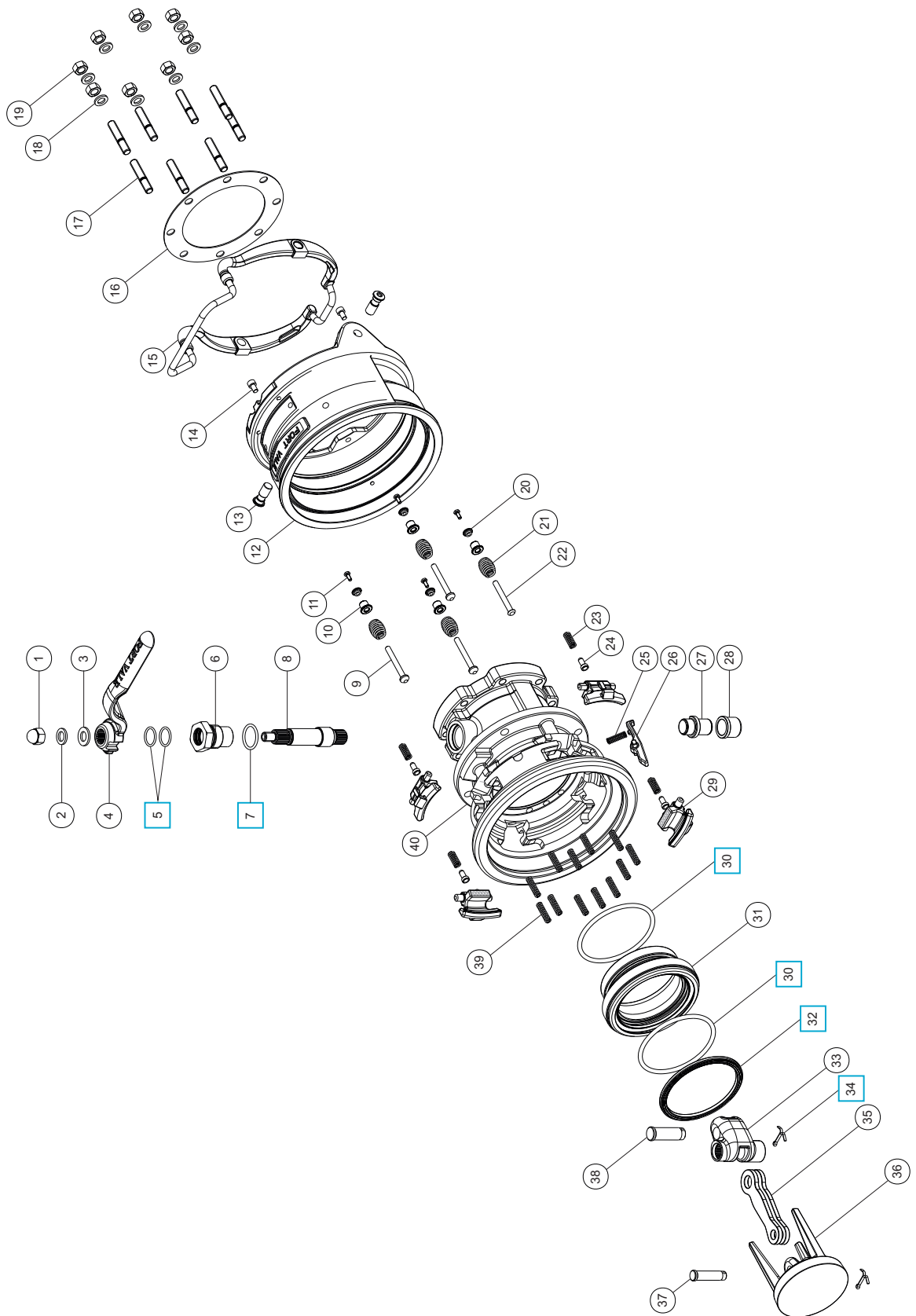
Description	Part No.
Loading adaptor wear gauge	94/2150
Coupler parking nose	94/25PC
Coupler seal replacement tool	400/9440
Coupler wear gauge	94/3050
4" TTMA check valve *Note 2	94/36XXXX/X

NOTE 2: The valve specification changes the Part No.

Section View



Parts Drawing



Parts List

Item	Description	Part No.
1	M12 domed nut	5112-050
2	M12 spring washer	5113-010
3	M12 washer	5123-003
4	Splined handle	94/2575
5	Spindle O ring (2) *Note	5005-336XX <input type="checkbox"/>
6	Spindle lock bush	94/3013
7	Bush O ring *Note	5005-214XX <input type="checkbox"/>
8	Spindle	94/3011
9	Standard spring retainer (3)	94/1016
10	Spring retainer guide bush (4)	94/2048
11	M4 hex bolt (4)	5111-064
12	Actuating ring assembly	94/3004
13	Release handle pivot pin (2)	94/2577
14	M6 cap screw (2)	5111-061
15	Release handle assembly	94/3080
16	4" TTMA gasket	94/3044
17	Inlet flange stud (8)	94/3040
18	M10 washer (8)	5113-002
19	M10 full nut (8)	5112-002
20	Spring retainer washer (4)	94/2529
21	Anti-drain spring (4)	10146
22	Short spring retainer (1)	94/3016
23	Latch spring (4)	94/2025
24	Spring guide (4)	94/2026
25	Interlock spring	94/3026
26	Interlock latch	94/3005
27	Stub spindle	94/3012
28	Spindle bush	94/3022
29	Latch (4)	94/3055
30	Seal carrier O ring (2) *Note	94/3035XX <input type="checkbox"/>
31	Seal carrier	94/3007
32	Face seal *Note	94/3006XX <input type="checkbox"/>
33	Splined crank block	94/3028
34	Split pin (2)	5220-008 <input type="checkbox"/>
35	Connecting rod (2)	94/3009
36	Poppet	94/3018
37	Pivot pin	94/3053
38	Pivot pin	94/3054
39	Seat ring spring (12)	94/3024
40	Inner body housing	94/3001

NOTE: The specification changes the Part No.

Seal Data

Seal Material	Seal Temp. Min/Max	Seal Colour	Coupler Part No.
Viton B	-13°C/50°C	Black	CE94/3000
Viton GFLT-S	-23°C/50°C	Grey	CE94/3000GF
Ultra low temp. fluorocarbon	-40°C/50°C	Brown	CE94/3000MF
Perfluoroelastomer	-15°C/50°C	Green	CE94/3000PF

Seal Kit - All parts marked in the Parts List

Seal Material	Part No.
Viton B	94/30SK
Viton GFLT-S	94/30SKGF
ULT fluorocarbon	94/30SKMF
Perfluoroelastomer	94/30SKPF