



Specification

Nominal size

DN32

Tank connection

Flanged: 4 x 18/mm slots equi-spaced on a 145.0/152.4 min/max PCD

Set pressure

From 5.2 Bar to 25.9 Bar

Materials

Contact parts: 316 stainless steel

Pressure O ring: Fortyt

Alternatives are available, refer to the Design Options page

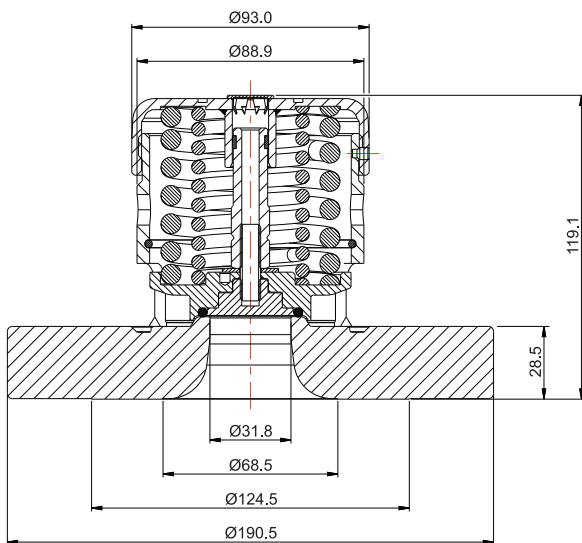
Design Conditions

Weight:	8.1 Kg
Design Pressure (MAWP):	25.9 Bar
Test Pressure:	38.8 Bar

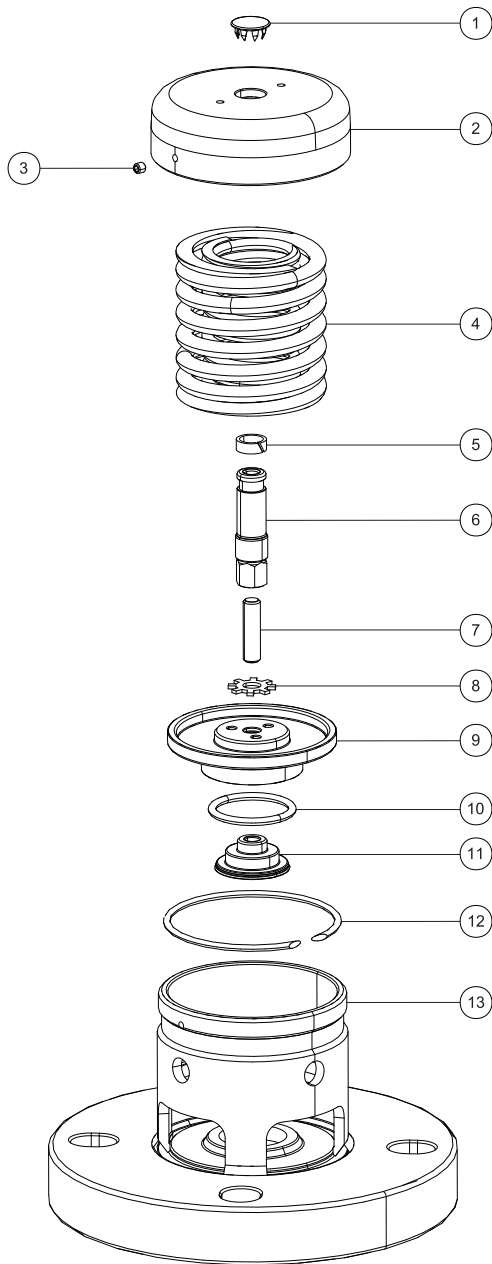
Design Code

BS EN 13445-3

Section View



Parts Drawing



Parts List

Item	Description	Part No.
1	Stainless steel plug	10978
2	Top cap	175/0721
3	Anti-tamper screw	5121-001
4	Spring *Note	6103-XXXX
5	PTFE split bearing	175/0514
6	Locking guide stem	175/0513
7	M8 stud	11426
8	Tab locking washer	175/0511
9	Outer pressure plate *Note	175/051AX
10	Fortyt pressure O ring	ORB219FO
11	Inner pressure plate *Note	175/0510/2X
12	Retaining ring clip	5120-071
13	Body (slotted)	175/0725SLB

NOTE: The valve specification changes the Part No.