



Specification

Nominal size

56mm

Inlet connection

1" BSP with swivel

Outlet connection

56mm

Selectivity

None as standard. All industry accepted selective positions are available, refer to the Selectivity data sheet

Materials

Contact parts: 316 stainless steel

Main seals: Viton

Alternatives are available, refer to the Design Options page

Design Conditions

Weight:	1.7 Kg
Design Pressure (MAWP):	25 Bar
Test Pressure:	43.8 Bar
Max. Coupling Pressure:	7 Bar
Design Temp. Min/Max:	-40°C / 200°C (metal parts)
Design Temp. Min/Max:	-20°C / 200°C (Viton seals)

NOTE: The working temperature of the hose unit seals can change the design temperature limits. The Design Conditions and Section View dimensions are for the specified part number only.

Design Code

BS EN 12516-2

Range

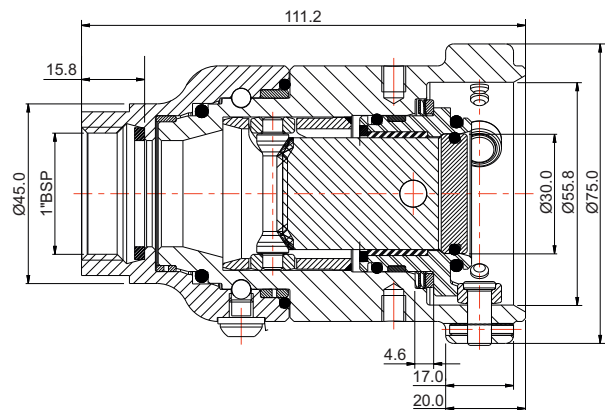
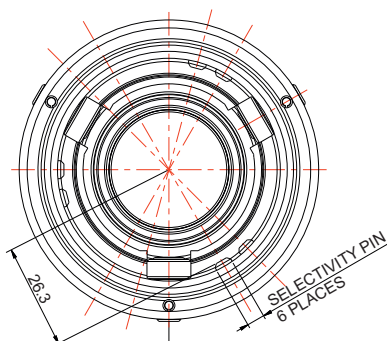
Description	Part No.
1" BSP inlet, Viton seal, no selectivity	895V/B560A00

Related Parts

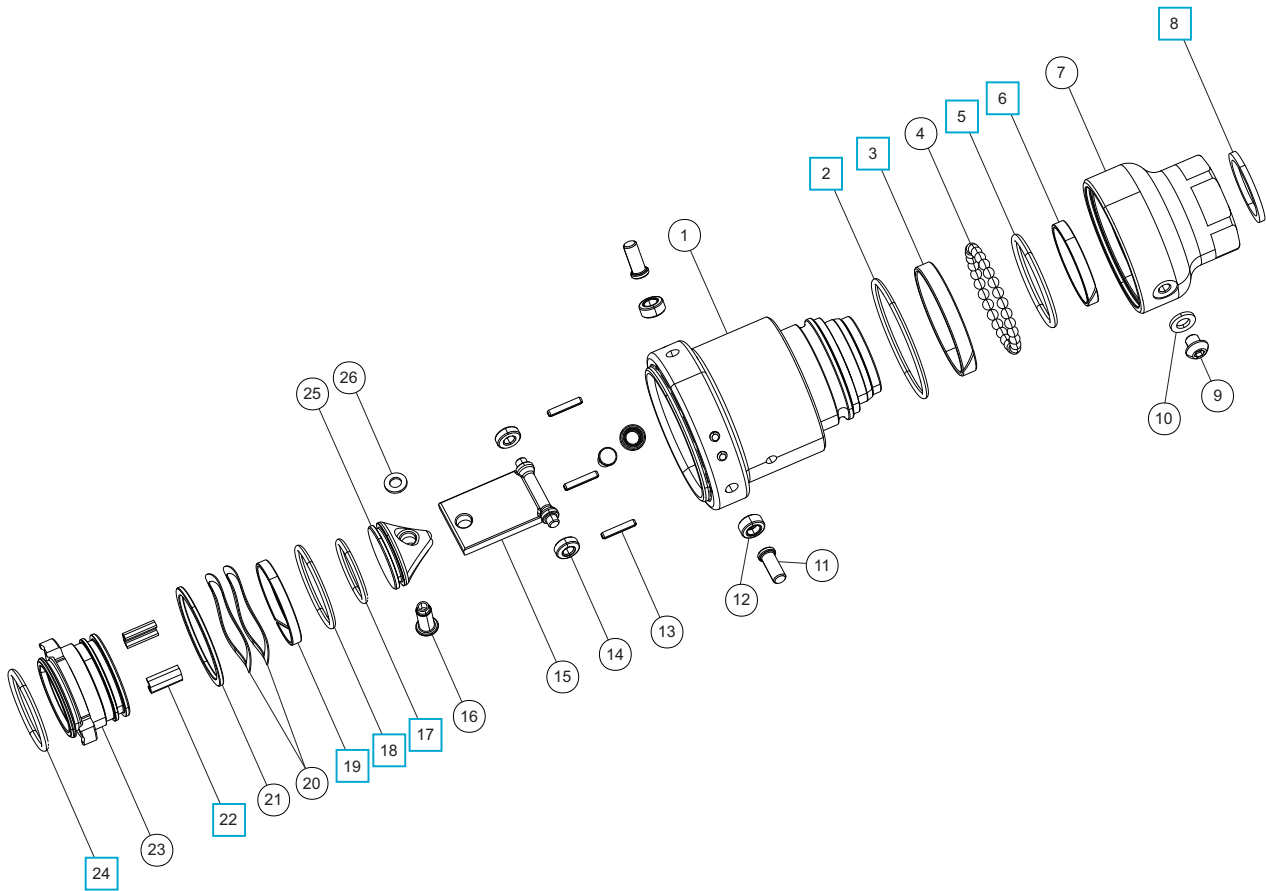
Description	Part No.
56mm/1" BSP tank unit, Viton seal	376V/B560A00
Pressure-tight cap for 56mm tank unit	915/5410X

Section View

Shows the selectivity pin position



Parts Drawing



Parts List

Item	Description	Part No.
1	56mm body (no selectivity) *Note	895/B56100
2	Fortyt O ring	ORB137F0 <input type="checkbox"/>
3	PTFE front bearing	895/5603 <input type="checkbox"/>
4	Ball bearing (30)	10145SS
5	Viton O ring *Note	5005-110 <input type="checkbox"/>
6	PTFE rear bearing	895/5605 <input type="checkbox"/>
7	1" BSP swivel body	895/5601
8	PTFE rear seal	895/B563/1 <input type="checkbox"/>
9	M6 button screw	5111-613
10	M6 spring washer	5113-008
11	Spindle housing bolt (3)	895/B564
12	Roller (3)	895/B566/1
13	Roll pin (3)	5128-071
14	Roller (2)	895/B566
15	Roller spindle assembly	895/B568
16	Pivot pin	895/B567/1
17	Viton O ring *Note	5005-552 <input type="checkbox"/>
18	Viton O ring *Note	5005-956 <input type="checkbox"/>
19	Poppet bearing	895/B562 <input type="checkbox"/>
20	Wave spring (2)	5104-201

Parts List

Item	Description	Part No.
21	Backing washer	895/B563
22	Slide strip (2)	895/B568/4 <input type="checkbox"/>
23	Poppet housing assembly	895/B565
24	Viton O ring *Note	ORM033030VR <input type="checkbox"/>
25	Poppet	895/B567
26	5mm plain washer	5113-015

NOTE: The hose unit specification changes the Part No.

Seal Kit

Description	Part No.
All parts marked <input type="checkbox"/> in the Parts List	895X/B560XSK

X = The seal material and inlet type change the Part No.



Specification

Nominal size

70mm

Inlet connection

2" BSP with swivel

Outlet connection

70mm

Selectivity

None as standard. All industry accepted selective positions are available, refer to the Selectivity data sheet

Materials

Contact parts: 316 stainless steel

Main seals: Viton

Alternatives are available, refer to the Design Options page

Design Conditions

Weight:	3.0 Kg
Design Pressure (MAWP):	25 Bar
Test Pressure:	37.5 Bar
Max. Coupling Pressure:	2 Bar
Design Temp. Min/Max:	-40°C / 200°C (metal parts)
Design Temp. Min/Max:	-20°C / 200°C (Viton seals)

NOTE: The working temperature of the hose unit seals can change the design temperature limits. The Design Conditions and Section View dimensions are for the specified part number only.

Design Code

BS EN 12516-2

Range

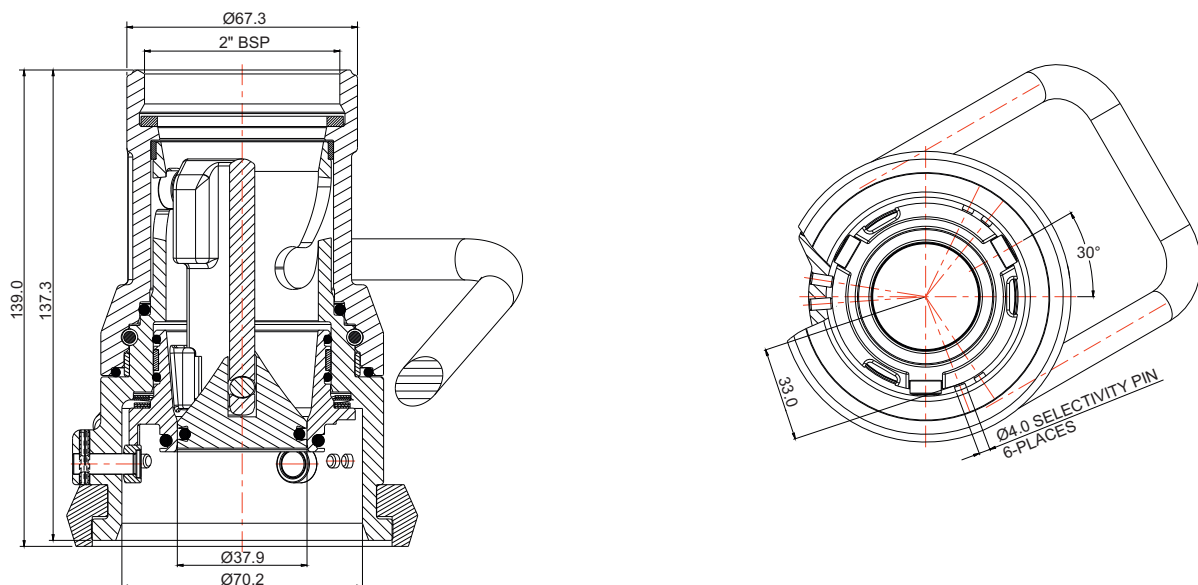
Description	Part No.
2" BSP inlet, Viton seal, no selectivity	895V/B700A00

Related Parts

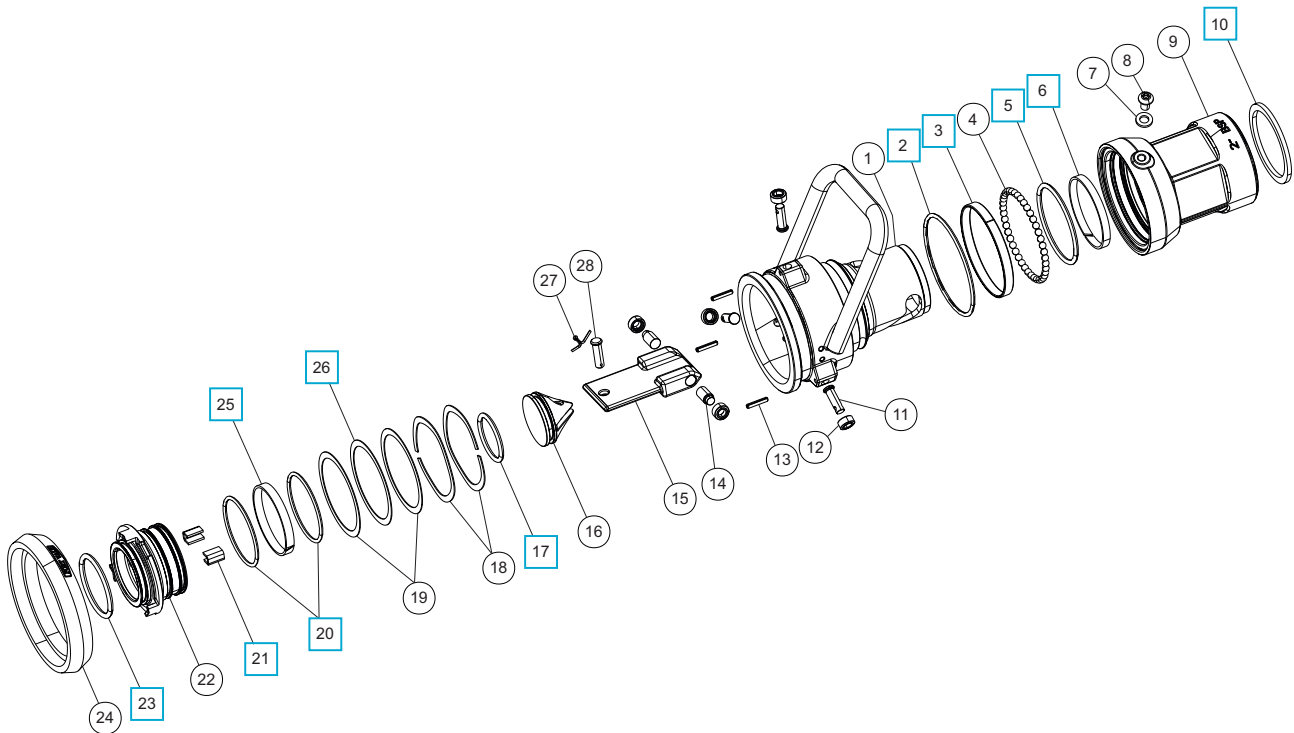
Description	Part No.
70mm/2" BSP tank unit, Viton seal	376V/B700A00
Pressure-tight cap for 70mm tank unit	915/5420X
70mm rubber dust plug	915/5171

Section View

Shows the selectivity pin position



Parts Drawing



Parts List

Item	Description	Part No.
1	70mm body (no selectivity) *Note	895/B70200
2	Fortyt O ring	ORB149F1 <input type="checkbox"/>
3	RTFE plain bearing	895/0708/9 <input type="checkbox"/>
4	Ball bearing (42)	10145SS
5	Viton O ring *Note	ORB832VR <input type="checkbox"/>
6	RTFE scarf cut bearing	895/0708/8 <input type="checkbox"/>
7	M6 spring washer	5113-008
8	M6 button screw	5111-610
9	Swivel body	895/B701
10	PTFE gasket	10450P <input type="checkbox"/>
11	Roller spindle pin (3)	895/0707
12	Roller (5)	895/0706
13	Roll pin (3)	5128-071
14	Piston spindle (2)	895/B705/6
15	Piston plate	895/B705/5
16	Poppet head	895/B705/1
17	Viton O ring *Note	5005-173 <input type="checkbox"/>
18	Wave spring (2)	5104-1002
19	Thrust washer (2)	895/0703/6
20	Viton O ring (2) *Note	ORB134VR <input type="checkbox"/>
21	Slide strip (2)	895/B708/4 <input type="checkbox"/>
22	Piston guide	895/B703
23	Viton O ring *Note	5005-172 <input type="checkbox"/>

Parts List

Item	Description	Part No.
24	Rubber buffer ring	895/0708/2
25	RTFE inner housing bearing	895/0708/6 <input type="checkbox"/>
26	PTFE thrust bearing	895/0708/7 <input type="checkbox"/>
27	Split pin	5118-012
28	Clevis pin	895/0705/8

NOTE: The hose unit specification changes the Part No.

Seal Kit

Description	Part No.
All parts marked <input type="checkbox"/> in the Parts List	895X/B700XSK

X = The seal material and inlet type change the Part No.



Specification

Nominal size
105mm

Inlet connection options
2½" BSP with swivel
3" BSP with swivel

Outlet connection
105mm

Selectivity
None as standard. All industry accepted selective positions are available, refer to the Selectivity data sheet

Materials
Contact parts: 316 stainless steel
Main seals: Viton

Alternatives are available, refer to the Design Options page

Design Conditions

Weight: 8.9 Kg
 Design Pressure (MAWP): 25 Bar
 Test Pressure: 37.5 Bar
 Max. Coupling Pressure: 2 Bar
 Design Temp. Min/Max: -40°C / 200°C (**metal parts**)
 Design Temp. Min/Max: -20°C / 200°C (**Viton seals**)

NOTE: The working temperature of the hose unit seals can change the design temperature limits. The Design Conditions and Section View dimensions are for the specified part number only.

Design Code
BS EN 12516-2

Range

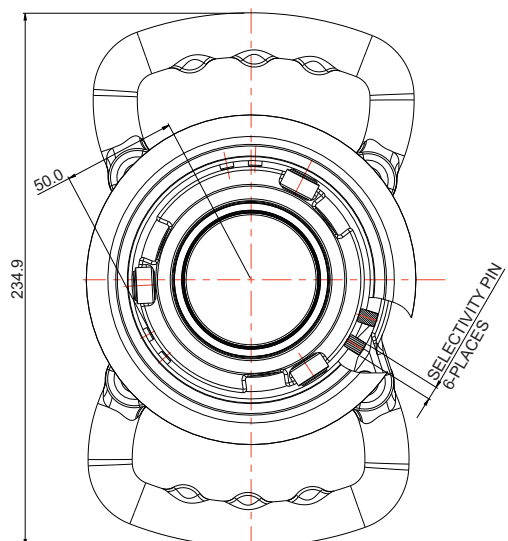
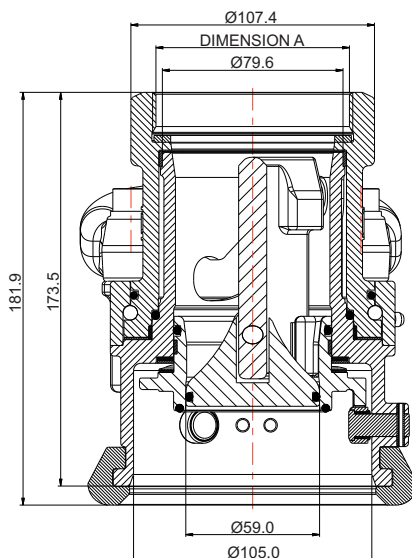
Description	Part No.
2½" BSP inlet, Viton seal, no selectivity	895V/B105B00
3" BSP inlet, Viton seal, no selectivity	895V/B105A00

Related Parts

Description	Part No.
105mm/3" BSP tank unit, Viton seal	376V/B050A00
Pressure-tight cap for 105mm tank unit	915/5480X

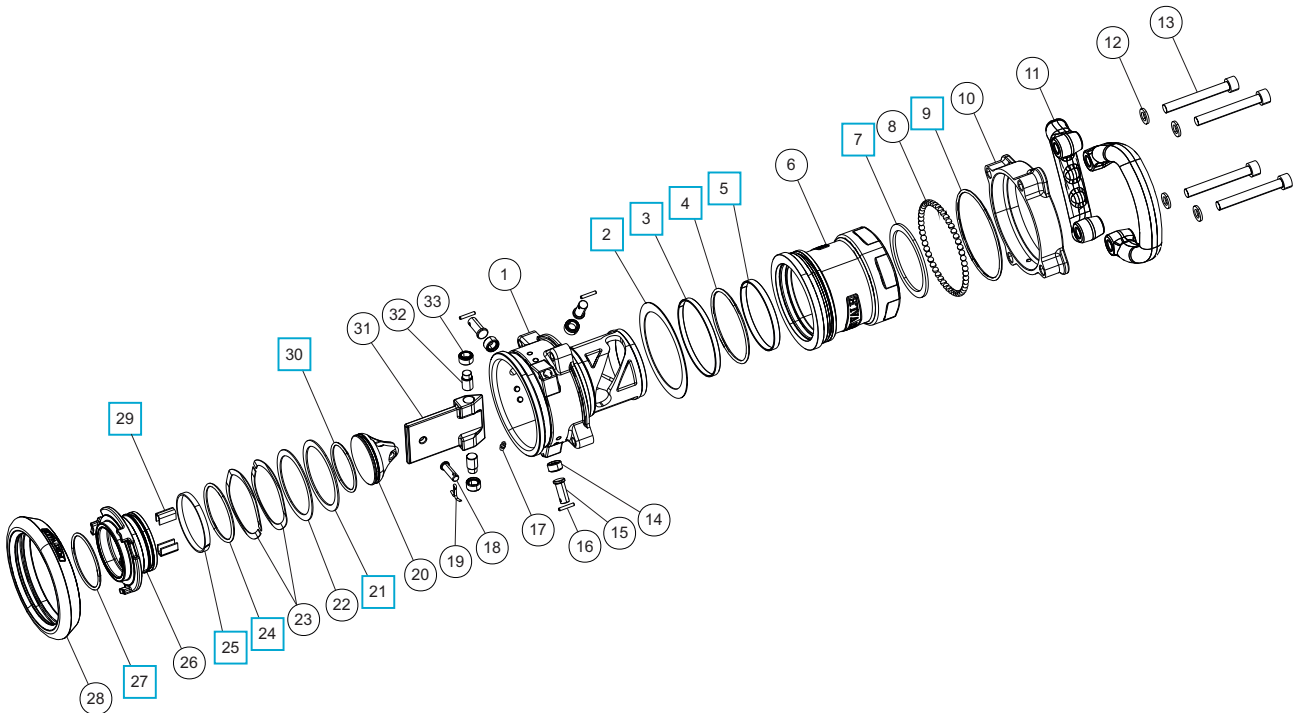
Section View

Shows the selectivity pin position



DIMENSION A: 2½" BSP inlet: Part No. 895X/B105BXX
 DIMENSION A: 3" BSP inlet: Part No. 895X/B105AXX

Parts Drawing



Parts List

Item	Description	Part No.
1	105mm body (no selectivity) * Note	895/B19200
2	RTFE thrust bearing	895/1058/8 <input type="checkbox"/>
3	RTFE plain bearing	895/1058/7 <input type="checkbox"/>
4	Viton O ring * Note	5005-941 <input type="checkbox"/>
5	RTFE plain bearing	895/1058/6 <input type="checkbox"/>
6	Swivel body - 3" BSP Swivel body - 2½" BSP	895/B151 895/B151B
7	PTFE gasket - 3" PTFE gasket - 2½"	10452P 10328P <input type="checkbox"/>
8	Ball bearing (52)	10143SS
9	Viton O ring	5005-658V <input type="checkbox"/>
10	Bearing outer body	895/1054
11	Plastic coated handle (2)	895/1199L
12	Spring washer (4)	5113-029
13	Cap head bolt (4)	5111-183
14	Roller (3)	895/1196/1
15	Roller spindle pin (3)	895/1197/2
16	Roll pin (3)	5128-002
17	Grease nipple	5128-026
18	Clevis pin	895/1195/8
19	Split pin	5118-017
20	Poppet head	895/B155/1
21	RTFE face bearing	895/B105 <input type="checkbox"/>
22	Face bearing plate	895/B105/1

Parts List

Item	Description	Part No.
23	Wavey washer (2)	5111-186
24	Viton O ring * Note	5005-996 <input type="checkbox"/>
25	Scarf cut bearing	895/1058/4 <input type="checkbox"/>
26	Piston guide	895/B153
27	Viton O ring * Note	5005-313 <input type="checkbox"/>
28	Rubber buffer ring	895/1058/2
29	Slide strip (2)	895/B158/5 <input type="checkbox"/>
30	Viton O ring * Note	ORB832VR <input type="checkbox"/>
31	Piston plate	895/B155/4
32	Roller spindle (2)	895/B155/6
33	Piston roller (2)	895/1196

NOTE: The hose unit specification changes the Part No.

Seal Kit

Description	Part No.
All parts marked <input type="checkbox"/> in the Parts List	895X/B105XSK

X = The seal material and inlet type change the Part No.



Specification

Nominal size

119mm

Inlet connection

3" BSP with swivel

Outlet connection

119mm

Selectivity

None as standard. All industry accepted selective positions are available, refer to the Selectivity data sheet

Materials

Contact parts: 316 stainless steel

Main seals: Viton

Alternatives are available, refer to the Design Options page

Design Conditions

Design Condition 1: 20 Barg

Design Pressure (MAWP): 20 Bar

Test Pressure: 33.8 Bar

Design Temp. Min/Max: -40°C / 200°C (metal parts)

Design Condition 2: 25 Barg

Design Pressure (MAWP): 25 Bar

Test Pressure: 35 Bar

Design Temp. Min/Max: -40°C / 100°C (metal parts)

Weight: 9.9 Kg

Max. Coupling Pressure: 2 Bar

Design Temp. Min/Max: -20°C / 200°C (Viton seals)

NOTE: The working temperature of the hose unit seals can change the design temperature limits. The Design Conditions and Section View dimensions are for the specified part number only.

Design Code

BS EN 12516-2

STANAG 3756 (Edition 4) - 119mm size only

Range

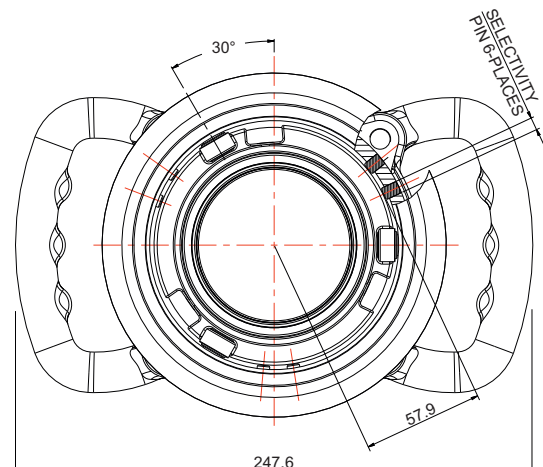
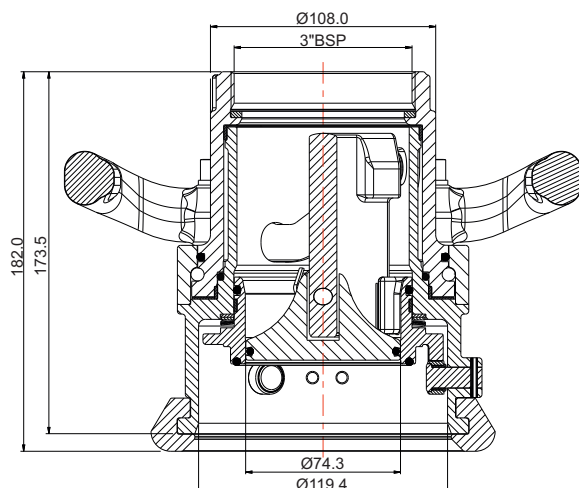
Description	Part No.
3" BSP inlet, Viton seal, no selectivity	895V/B190A00

Related Parts

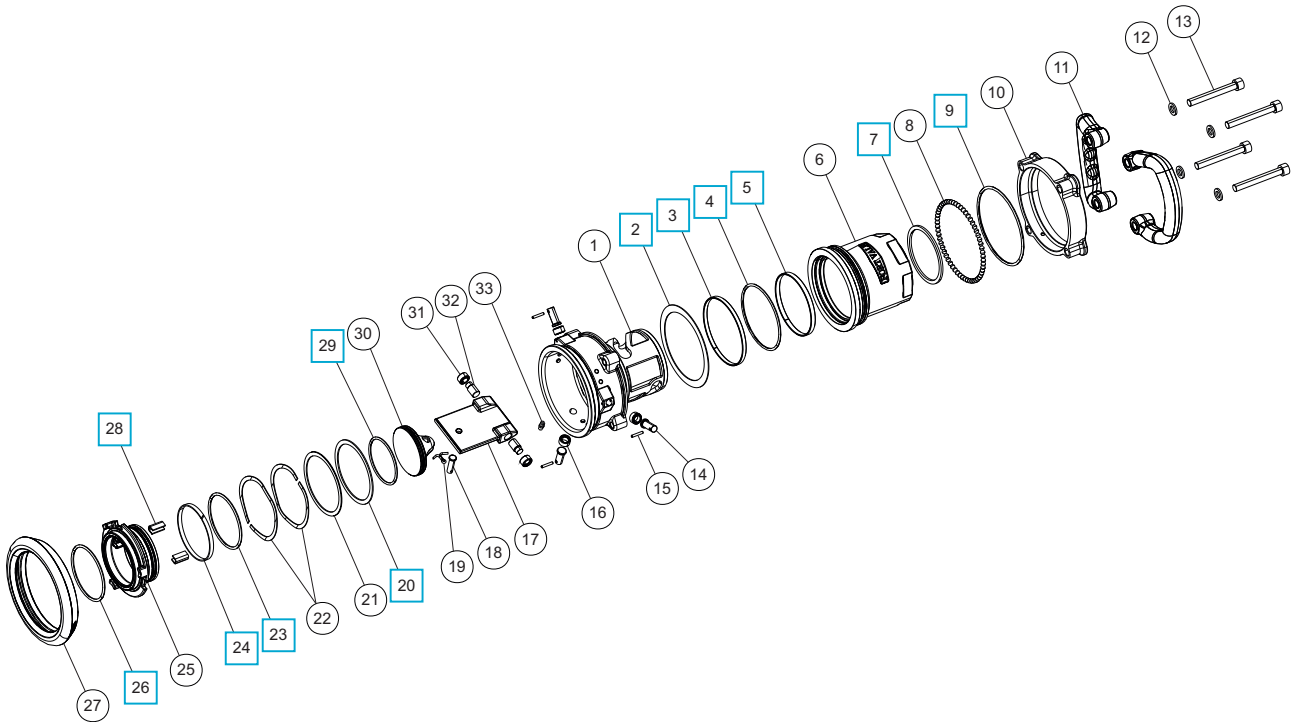
Description	Part No.
119mm/3" BSP tank unit, Viton seal	376V/B190A00
Pressure-tight cap for 119mm tank unit	915/5470X
119mm rubber dust plug	915/5173

Section View

Shows the selectivity pin position



Parts Drawing



Parts List

Item	Description	Part No.
1	119mm body (no selectivity) *Note	895/B19200
2	RTFE thrust bearing	895/1198/8 <input type="checkbox"/>
3	RTFE plain bearing	895/1198/7 <input type="checkbox"/>
4	Viton O ring *Note	5005-315 <input type="checkbox"/>
5	RTFE plain bearing	895/1198/6 <input type="checkbox"/>
6	Swivel body	895/B191
7	PTFE gasket	10454P <input type="checkbox"/>
8	Ball bearing (58)	10143SS
9	Viton O ring	5005-934 <input type="checkbox"/>
10	Bearing outer body	895/1194
11	Plastic coated handle (2)	895/1199L
12	Spring washer (4)	5113-029
13	Cap head bolt (4)	5111-183
14	Roller spindle pin (3)	895/1197/2
15	Roll pin (3)	5128-002
16	Roller (3)	895/1196/1
17	Piston plate	895/B195/4
18	Clevis pin	895/B195/8
19	Split pin	5118-050
20	RTFE spring face bearing	895/1649/1 <input type="checkbox"/>
21	Thrust bearing	895/B198/1
22	Wavy washer (2)	5111-184
23	Viton O ring *Note	5005-551V <input type="checkbox"/>

Parts List

Item	Description	Part No.
24	RTFE scarf cut bearing	895/1198/4 <input type="checkbox"/>
25	Piston guide	895/B193
26	Viton O ring *Note	5005-936 <input type="checkbox"/>
27	Rubber buffer ring	895/1198/2
28	Slide strip (2)	895/B198/5 <input type="checkbox"/>
29	Viton O ring *Note	5005-314 <input type="checkbox"/>
30	Piston head	895/B195/1
31	Piston roller (2)	895/1196
32	Roller spindle (2)	895/B155/6
33	Grease nipple	5128-026

NOTE: The hose unit specification changes the Part No.

Seal Kit

Description	Part No.
All parts marked <input type="checkbox"/> in the Parts List	895X/B190XSK

X = The seal material and inlet type change the Part No.



Specification

Nominal size

164mm

Inlet connection

4" BSP with swivel

Outlet connection

164mm

Selectivity

None as standard. All industry accepted selective positions are available, refer to the Selectivity data sheet

Materials

Contact parts: 316 stainless steel

Main seals: Viton

Alternatives are available, refer to the Design Options page

Design Conditions

Design Pressure Bar	Test Pressure Bar	Design Temp. Min/Max °C Metal Parts Only
10.0	15.0	-40 / 200
18.9	28.35	-40 / 175
21.0	31.5	-40 / 100

Weight: 16.7 Kg
 Max. Coupling Pressure: 4 Bar
 Design Temp. Min/Max: -20°C / 200°C (**Viton seals**)

NOTE: The working temperature of the hose unit seals can change the design temperature limits. The Design Conditions and Section View dimensions are for the specified part number only.

Design Code

BS EN 12516-2

Range

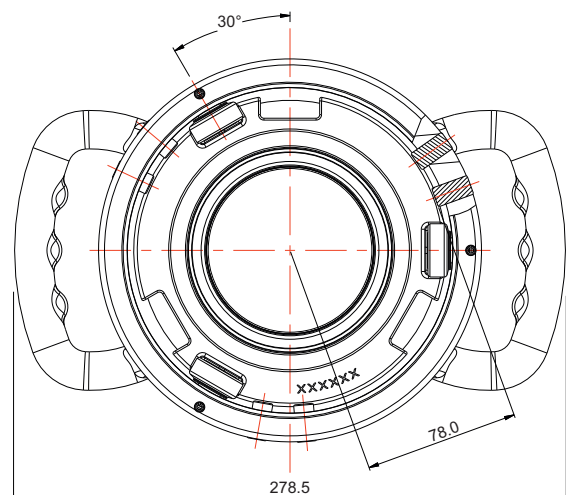
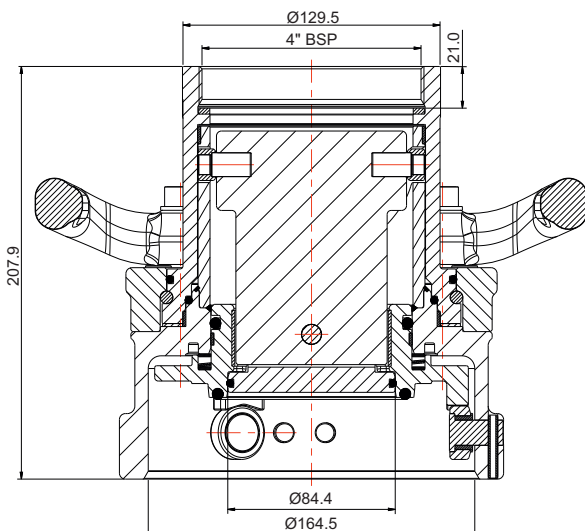
Description	Part No.
4" BSP inlet, Viton seal, no selectivity	895V/B164A00

Related Parts

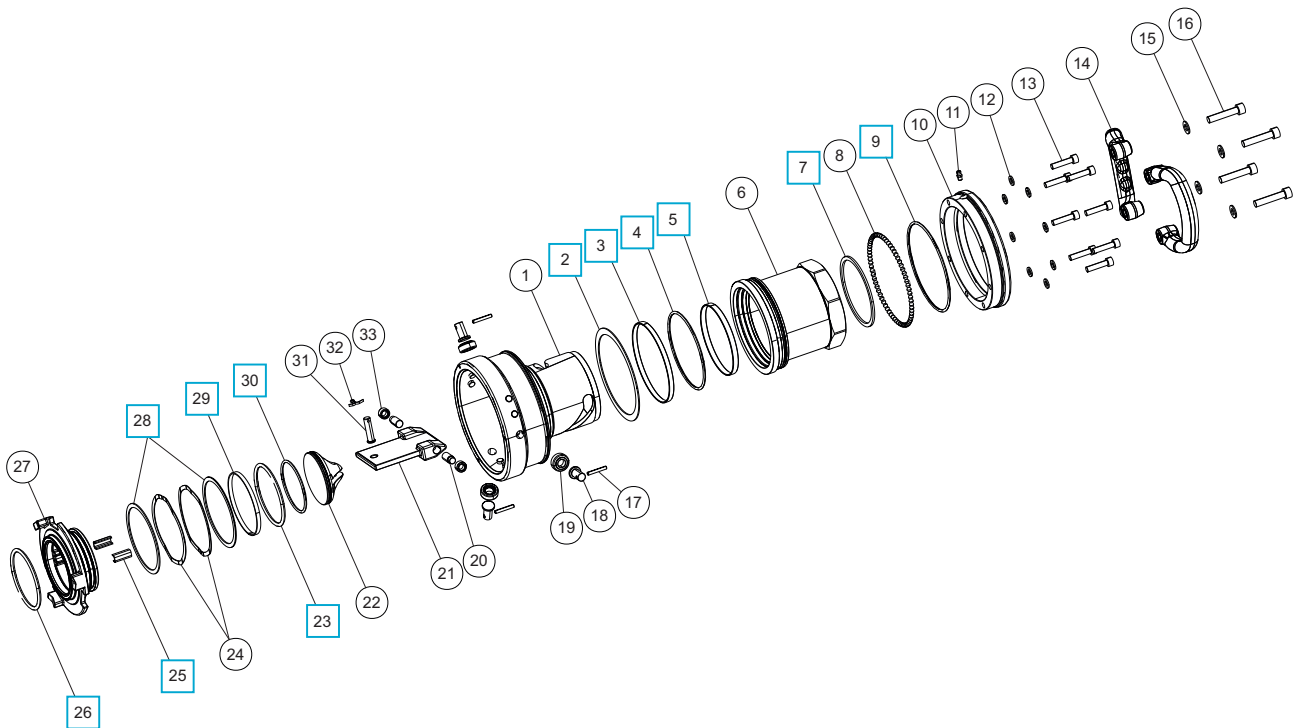
Description	Part No.
164mm/4" BSP tank unit, Viton seal	376V/B640A00
Pressure-tight cap for 164mm tank unit	915/5490X
164mm rubber dust plug	915/5174

Section View

Shows the selectivity pin position



Parts Drawing



Parts List

Item	Description	Part No.
1	164mm body (no selectivity) *Note	895/B64200
2	RTFE thrust bearing	895/1648/8 <input type="checkbox"/>
3	RTFE plain bearing	895/1648/7 <input type="checkbox"/>
4	Viton O ring *Note	5005-958 <input type="checkbox"/>
5	RTFE plain bearing	895/1648/6 <input type="checkbox"/>
6	Swivel body	895/B641
7	PTFE gasket	10456P <input type="checkbox"/>
8	Ball bearing (70)	10143SS
9	Viton O ring	5005-943 <input type="checkbox"/>
10	Bearing gland	895/B644
11	Grease nipple	5128-026
12	M8 spring washer (8)	5113-003
13	M8 cap screw (8)	5111-0054
14	Plastic coated handle (2)	895/1199L
15	M10 plain washer (4)	5113-009
16	M10 cap head bolt (4)	5111-601
17	Roll pin (3)	5128-001
18	Roller spindle pin (3)	895/1647
19	Roller bush (3)	895/1646/1
20	Roller spindle (2)	895/B645/6
21	Piston plate	895/B645/4
22	Poppet head	895/B645/1
23	Viton O ring *Note	5005-426V <input type="checkbox"/>

Parts List

Item	Description	Part No.
24	Wavey washer (2)	5111-192
25	Slide strip (2)	895/B648/5 <input type="checkbox"/>
26	Viton O ring *Note	5005-942 <input type="checkbox"/>
27	Piston guide	895/B643
28	Spring face bearing (2)	895/1649 <input type="checkbox"/>
29	RTFE scarf cut bearing	895/1648/4 <input type="checkbox"/>
30	Viton O ring *Note	5005-683V <input type="checkbox"/>
31	Clevis pin	895/1645/8
32	Split pin	5118-050
33	Roller (2)	895/1196

NOTE: The hose unit specification changes the Part No.

Seal Kit

Description	Part No.
All parts marked <input type="checkbox"/> in the Parts List	895X/B164XSK

X = The seal material and inlet type change the Part No.